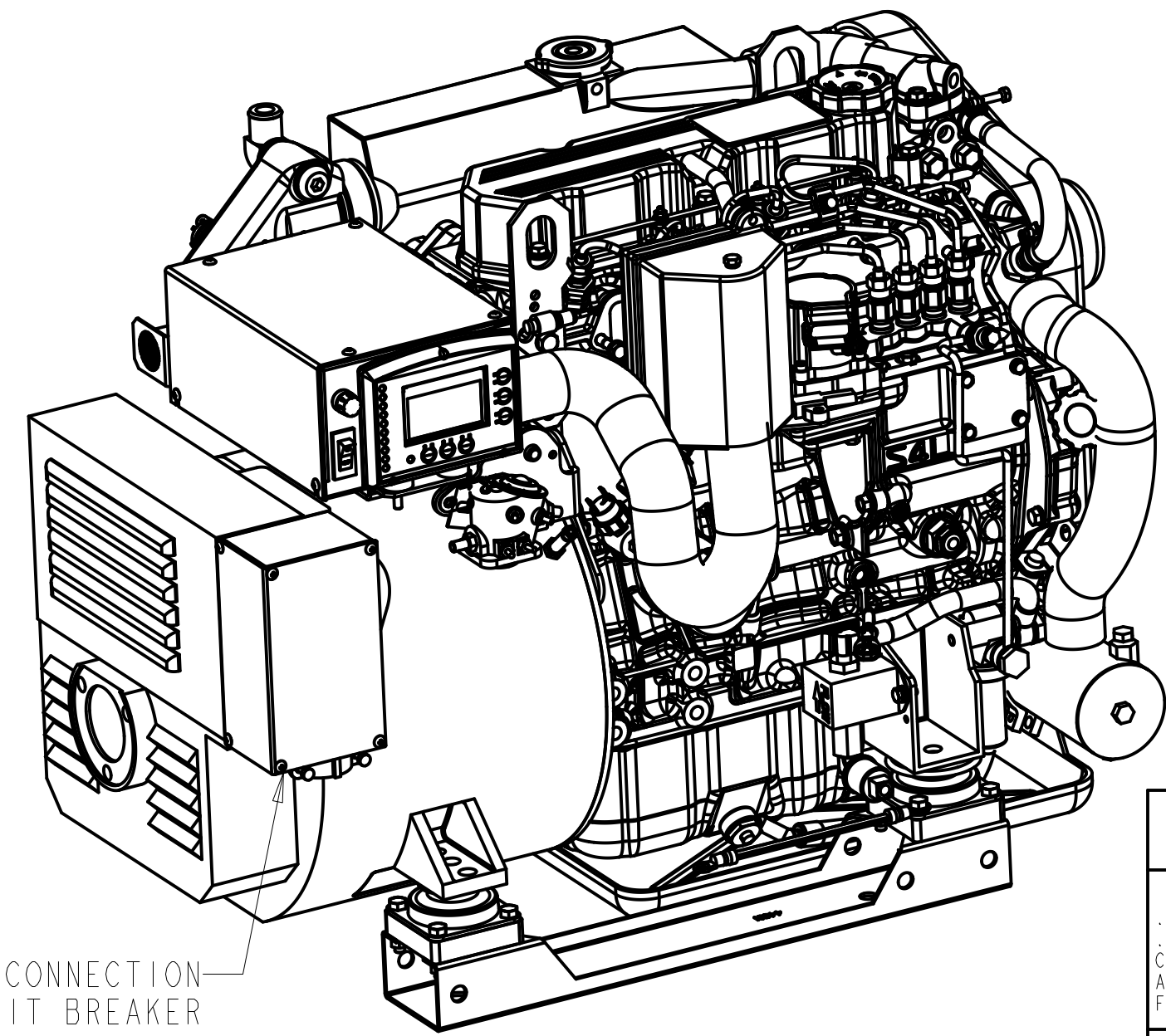
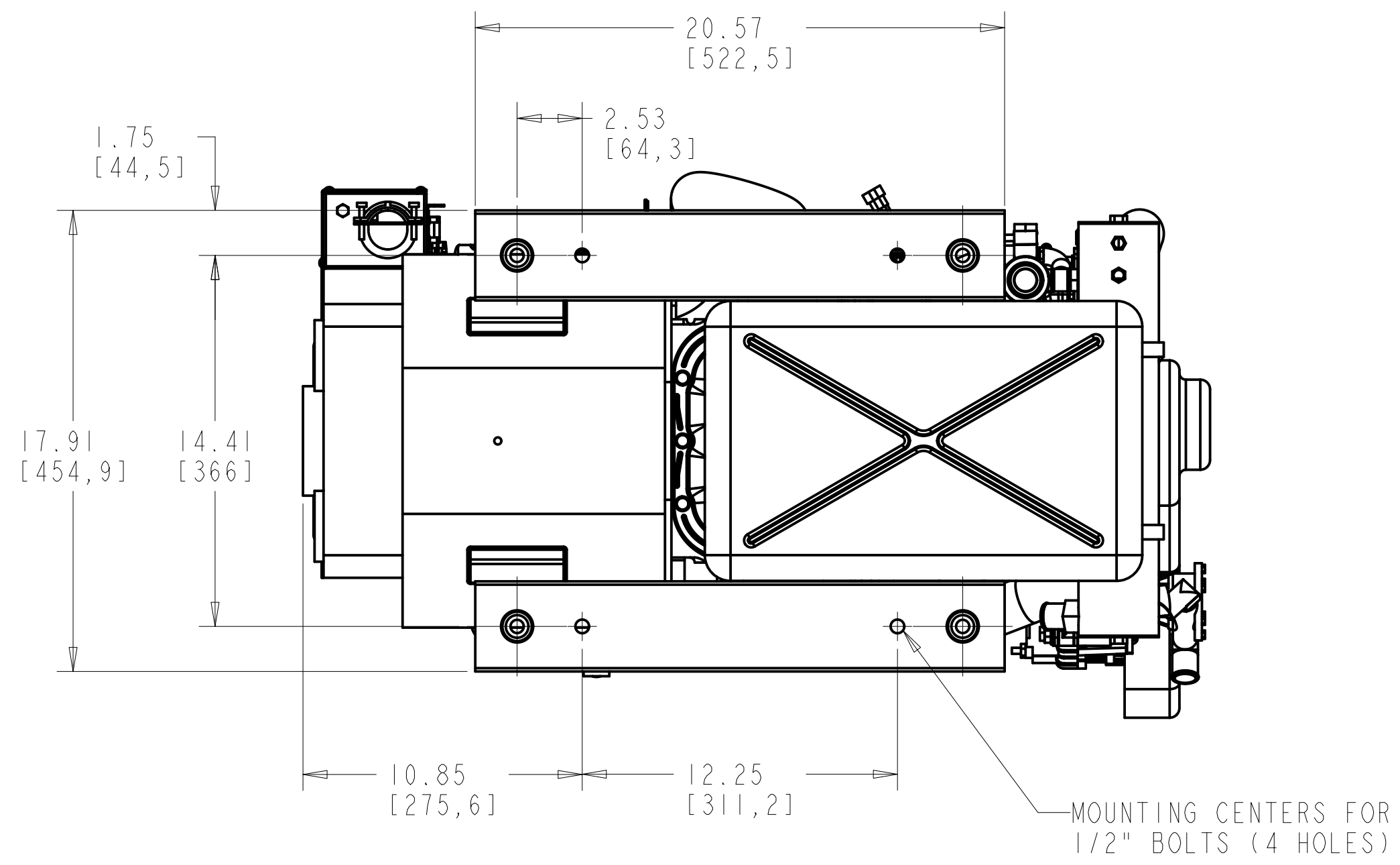
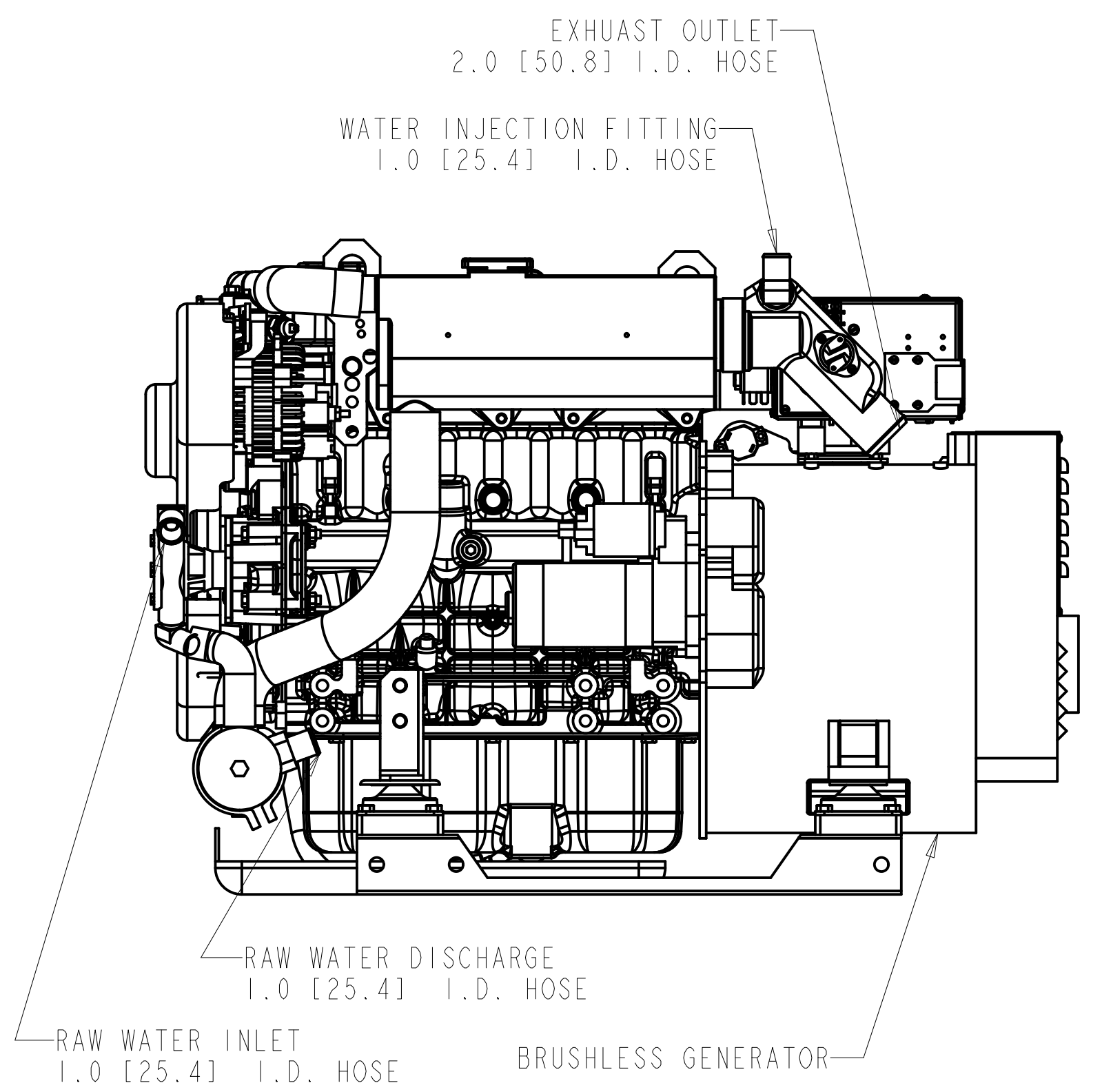
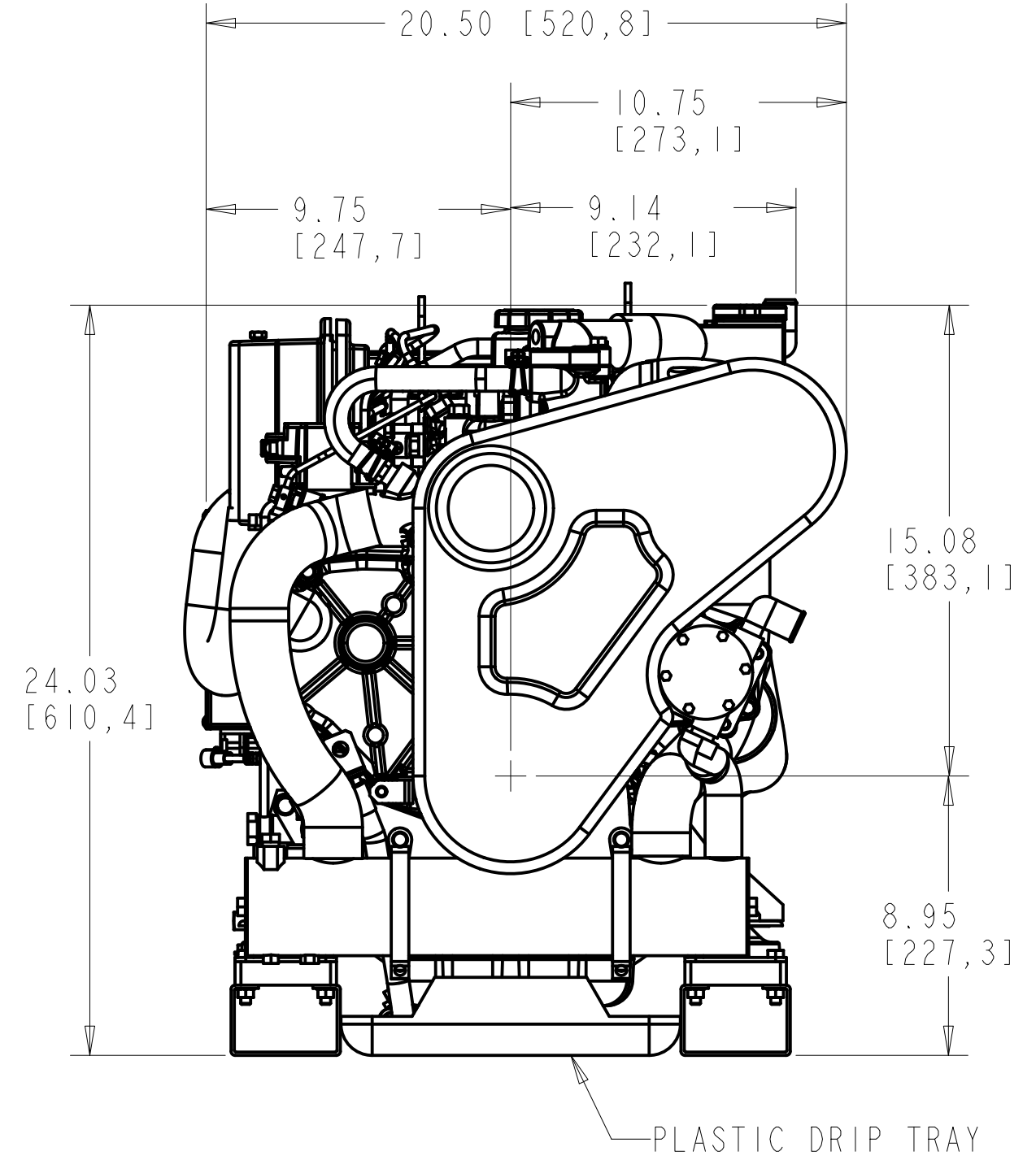
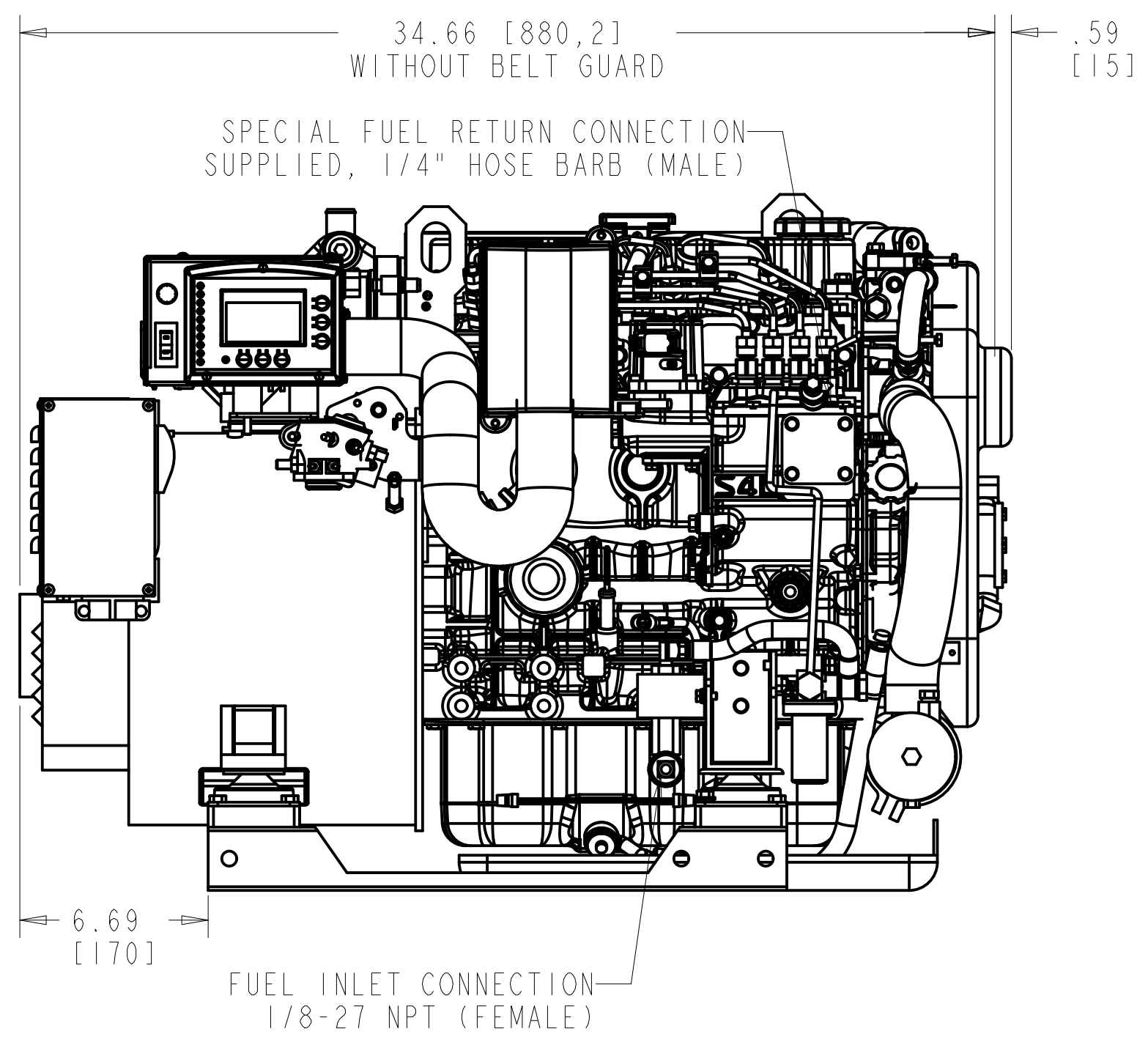


PTO PILOT BORE  
 $\varnothing 3.937$  [100]  
 X .10 [2.5] DEEP

M12X .75 THREAD, 1.0 [25.4] DEEP  
 (3 HOLES) EQUALLY SPACED ON A  
 $\varnothing 3.346$  [85] B.C.



TOLERANCES (UNLESS OTHERWISE NOTED)		<b>WESTERBEKE</b>	
INCHES	MILLIMETERS	TITLE	
.XX ± .02	X ± 1.0	DGINSTALL GEN 12.5-15.0 EDTA	
.XXX ± .005	.X ± .5	DRAWN BY	DATE
CAST ± .03	.XX ± .13	JAS	27/Feb/17
ANGLES ± .5°		APPROVED BY	DATE
FINISH			
DIMENSIONS		SCALE	SIZE
INCHES		0.200	D
MILLIMETERS			
(WHEN APPLICABLE)		SHT. 1 OF 2	DRAWING NUMBER
			57150
			REV.
			1